

Professional lighting systems for Automotive & eMobility



Speed, solidity, sincerity : OEI DNA

Understanding the automotive industry allows us at OE Industry to create excellence. How?

1. / SPEEDILY – years of experience and accumulated knowledge.
2. / SOLIDLY – proven suppliers, a meticulous design process and an outstanding team.
3. / SINCERELY – we are responsible for your success. We are honest with you.

These 3 values have been part of the OEI brand DNA since 2012.

Social responsibility - it's natural at OEI!

Headlights from OEI light the way for thousands of drivers around the world every day.

That's why we understand partnership as a responsibility. For your success. As well as your safety on the road.

PRODUCT OVERVIEW :

NEXT_Horizon	10 - 13
NEXT_3	14 - 17
NEXT_3W	18 - 21
NEXT_Q4	22 - 25
NEXT_Q4U	26 - 27
NEXT_Q4W	28 - 29
AX3	30 - 31
FX3	33
FX3W	33
FXQ4	34 - 35
FX1	36
AX1	37
NEXT_5	40 - 41
NEXT_7	42 - 43
RFT	44 - 47
Mercury	48 - 50
AX6	51
Saturn	52 - 54
Pluto	55
Hella LEDayFlex III	56 - 58
AX5	59
DX4	60 - 62
DX3	63
SX3	64
SX4	65
RX_One	66 - 69
RX_Four	70 - 71
Custom interior & exterior lighting	74 - 77



Excellent team. Illuminating products.

Developing lighting solutions that sets the standard for future generations requires a clear strategy.

The heart of our company has always been an outstanding team with a great passion for cars. This comes from our responsibility for your success. It never happens by chance.



A reliable business partner you can trust.

Trust is a very sensitive issue. It takes years to gain it and can be lost in an instant.

Trust is a very sensitive issue. Long-standing partners and customers confirm what we are most proud of: OE Industry is a responsible partner.



You will feel the difference of an individual approach.

Working with OE Industry means more benefits than you can get with high-volume partners.

Your challenge and your opportunities always come first. No exceptions. In every phase of our cooperation. We focus on one thing only. Your success.



Designers, what can we do for you?



Do you design for the automotive industry? At OE Industry, we know very well that this is one of the most demanding fields of industrial design. That's why we want to offer you support already at the design process. **How?**

From the strong side :) Specifically from the website **www.oeindustry.com**

It is a powerful and available 24/7/365 tool where you will find:

- a library of 3D files and approvals to download,
- a library of product cards,
- detailed photos and drawings of the products.

Work when and where it's convenient for you regardless of us or the manufacturer. **We invite you to visit our platform oeindustry.com**

Design → Prototype → Production

A manufacturer who has been a supplier for years. Therefore, we understand your expectations perfectly and support – as constructively as possible – your possibilities. Meet a partner who will take full responsibility for your headlight.

→ We will design it exactly the way you need it.

→ let you get to know it on a prototype before making a final decision.

→ and eventually produce it! We are now the team responsible for the design and monitoring the production! So you have 100% conformity of the project and prototype with the final shape and functions of the headlight.

→ we will deliver the entire series to you on time and at the place indicated.

Need details?

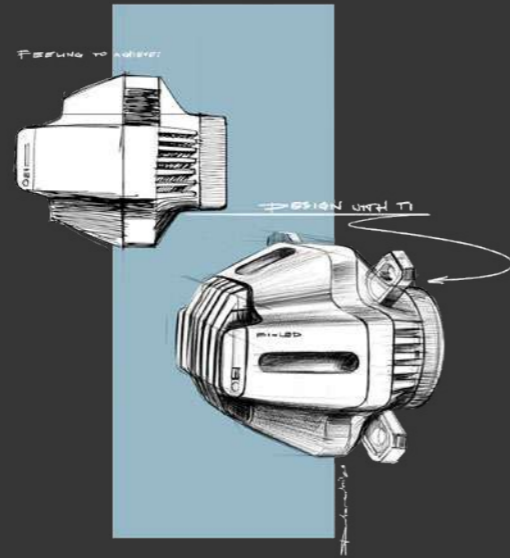
1. / **DESIGN** – your headlight has been designed by our interdisciplinary design team at OEI Design LAB. The unique and stunning in every accent. Attracting attention and skilfully keeping it.

2. / **PROTOTYPE** – before you order – see yourself. Before you install – meet it. Let your purchase decision be informed, aware and unleash the full potential of your brand. At OEI, prototyping is a natural step of work. This is how we understand the new era of services for eMobility.

3. / **PRODUCTION** – a headlight manufactured under the supervision of the OE Industry is a guarantee of a standard that exceeds your expectations. Even those from the future.



From now on, the future belongs to those who have the courage to create it. Regardless of the scale of production. Create your own NEXT_Horizon.



Bi-LED 4 functions (+) – the first Bi-LED modular headlight to inform about the battery charging process in electric vehicles.

Product awareness enters a new level. You can now offer the purchaser knowledge that is invaluable in target products such as buses.

Future is customized. Dare to create it.

Discover the CUSTOM version of headlight from OEI. Start now to benefit from the possibilities previously only available to high-volume manufacturers.

→ Increase in voltage from 24 to 48V.
→ Activation of additional light functions.

→ Programming of the green ring function, which informs of the battery charging process in electric vehicles.

→ Selecting the colour of the reflector inside and the design.

From now on, always get exactly what you want. A product as individual as your design and your business. And therefore – pay ONLY for the features you will actually use.

NEXT_Horizon

Character and awareness. These are what determine the competitive advantage of the brand you are responsible for. Distinguishing and making it benefit your customer for years to come.

Meet the NEXT_Horizon line from OE Industry, which was created with one very specific purpose. To enable everyone to individually configure the headlight. Everyone. Regardless of the type of vehicle, its intended use and the scale of production.

A new era of services for manufacturers of public transport vehicles, buses, trams and

the broader transport eMobility selective series.

Dare to demand what was previously only available to the greatest. Allow yourself to fully understand your needs. Your work is a mission and a promise to society – regardless of scale or series. We understand this.

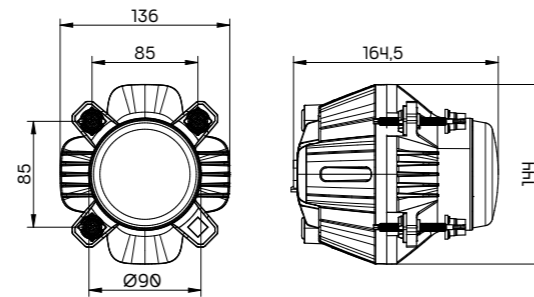
OE Industry was created with the aim of both the needs and capabilities of manufacturers like you. The needs that are important and opportunities that are limitless.



Bi-LED headlight NEXT_Horizon

Low beam, high beam

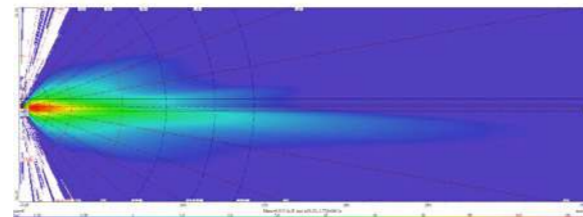
Manufacturer	OE Industry
Source of light	LED
Voltage	12/24/48V
Dimensions	Ø90 mm
Connection	Deutsch
Assembly	Heavy-duty screws
IP Rating	IP6K9K
Approvals	ECE R10, R149



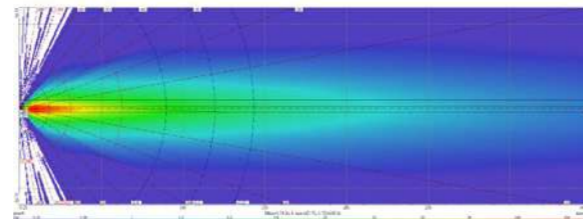
OE1182003893_D
Black



Low beam



High beam

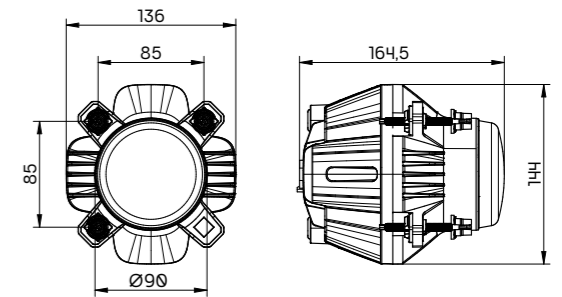


Bi-LED headlight NEXT_Horizon

Low beam, high beam, position light, DRL



Manufacturer	OE Industry
Source of light	LED
Voltage	12/24/48V
Dimensions	Ø90 mm
Connection	Deutsch
Assembly	Heavy-duty screws
IP Rating	IP6K9K
Approvals	ECE R10, R148, R149



OE1182003894_D
Black



Custom solution
green energy charging ring
for electric vehicles



NEXT_3

When designing Next_3 headlights, we were primarily guided by the expectations of both vehicle manufacturers and end users.

In order to meet their needs, we have optimised production and selected the very best materials.

In our new optical construction you will find the perfect cut-off line of the light beam, and the size of the housing is superbly compact.

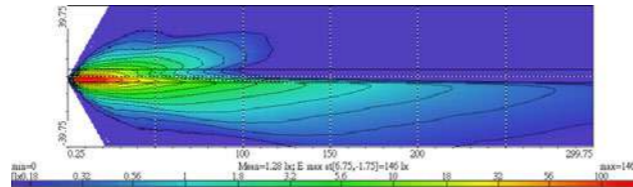
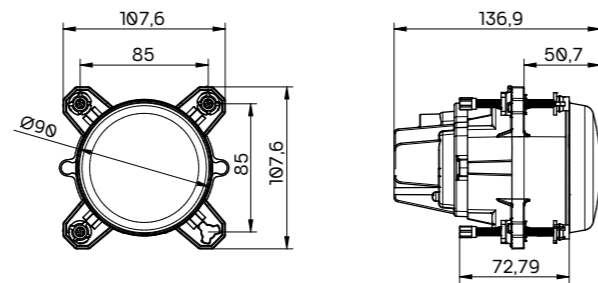
We know and realise that we have only one planet on which we live. Our products are carefully designed to minimize its environmental impact. The housing of NEXT headlights is made with low-carbon aluminum. Thanks to this, we are ready to fulfill the most stringent EU and ISO 14001 standards.



LED headlight NEXT_3

Low beam, position light, DRL

Manufacturer	OE Industry
Source of light	LED
Voltage	12/24V
Dimensions	Ø90 mm
Connection	Deutsch
Assembly	Standard screws
IP Rating	IP6K9K
Approvals	ECE R10, R7, R87, R112



OE1182003268_D
Black



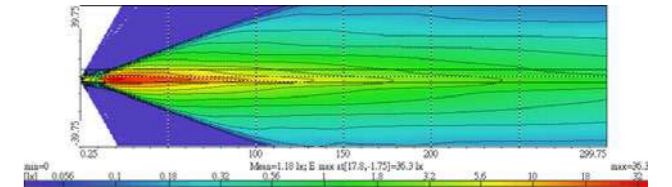
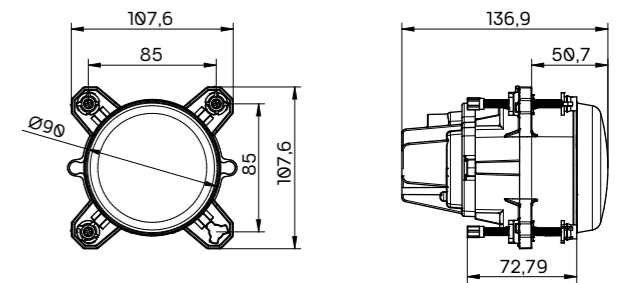
OE1182003268_I
Chrome



LED headlight NEXT_3

High beam, position light, indicator

Manufacturer	OE Industry
Source of light	LED
Voltage	12/24V
Dimensions	Ø90 mm
Connection	Deutsch
Assembly	Standard screws
IP Rating	IP6K9K
Approvals	ECE R10, R6, R7, R112



OE1182003270_D
Black



OE1182003270_I
Chrome



NEXT - 3W

Automotive Lighting Technology



Freezing precision of the finest cut.
And full attention to every detail.

When the impossible stops being
a challenge and becomes a perspective.

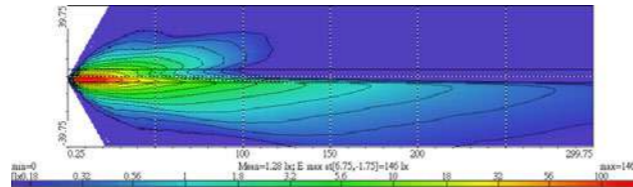
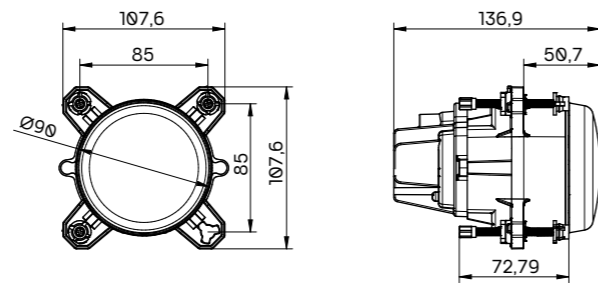
To meet the expectations of our customers
who prefer chrome finish, we have created
LADY ICE...

Functional spotlight in unobvious style.
In the planes of the outer ring of this
headlight one you can see...crushed ice.

LED headlight NEXT_3W

Low beam

Manufacturer	OE Industry
Source of light	LED
Voltage	12/24V
Dimensions	Ø90 mm
Connection	Deutsch
Assembly	Standard screws
IP Rating	IP6K9K
Approvals	ECE R10, R149



OE112003510_D
Black



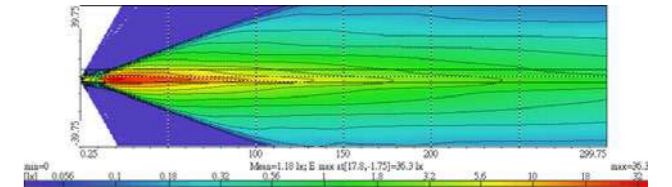
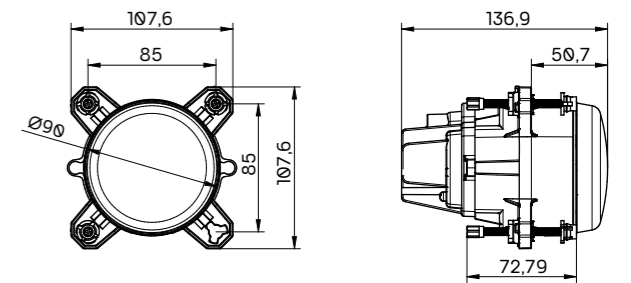
OE112003510_I
Chrome



LED headlight NEXT_3W

High beam

Manufacturer	OE Industry
Source of light	LED
Voltage	12/24V
Dimensions	Ø90 mm
Connection	Deutsch
Assembly	Standard screws
IP Rating	IP6K9K
Approvals	ECE R10, R149



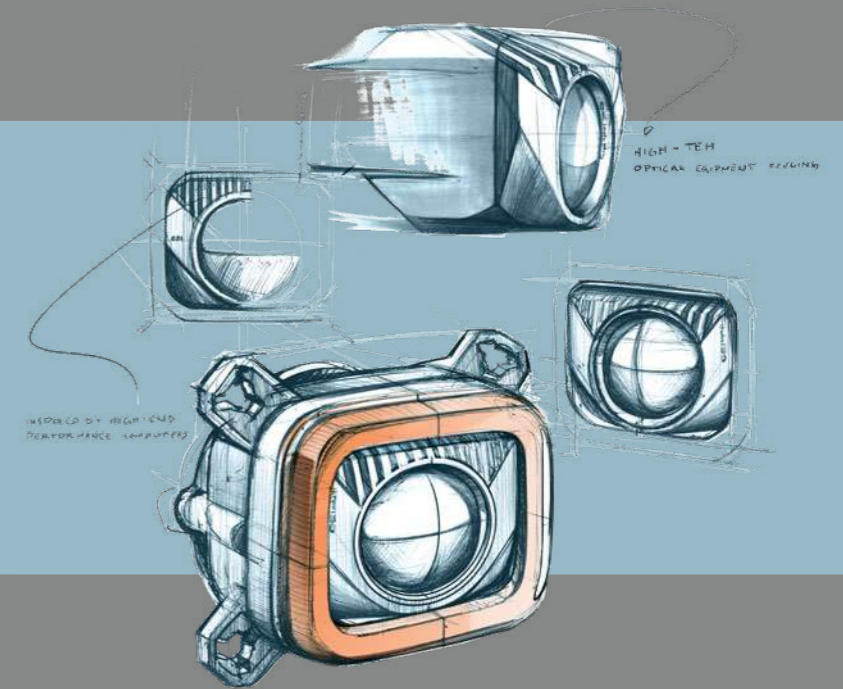
OE112003511_D
Black



OE112003511_I
Chrome



NEXT_Q4



Next_Q4 is a product inspired by architectural order and the technicality and precision that can be seen in electronic devices or computer interiors.

Automotive Lighting Technology

In developing our new Next_Q4 headlight, we took into account the voice of the market and our designers did a deep analysis to show that the design market for transport can benefit from Automotive.

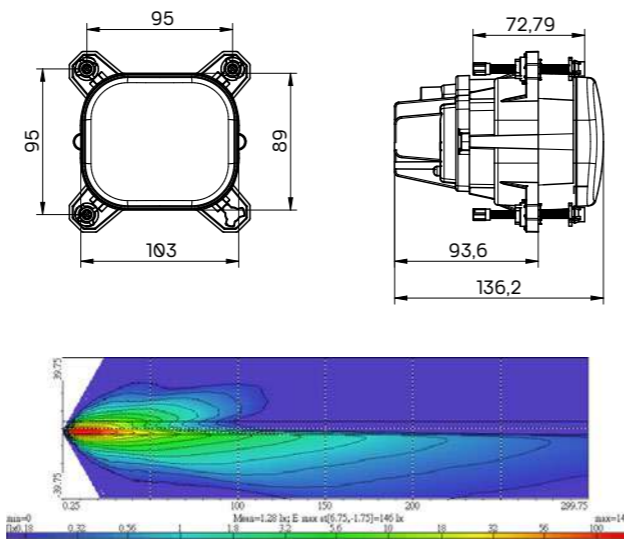
All of this is done in order to use stylistic language to emphasise the luminous qualities of a top-quality product.

With our attention to detail, we also come out ahead of transport lighting manufacturers by positioning our products closer to the automotive sector and passenger cars.

LED headlight NEXT_Q4

Low beam, position light, DRL

Manufacturer	OE Industry
Source of light	LED
Voltage	12/24V
Dimensions	103x89 mm
Connection	Deutsch
Assembly	Standard screws
IP Rating	IP6K9K
Approvals	ECE R10, R148, R149



OE1182003506_D
Black



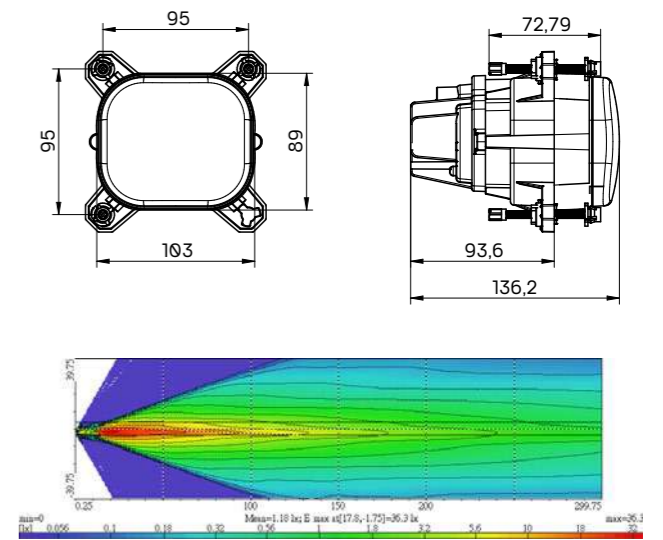
OE1182003506_I
Chrome



LED headlight NEXT_Q4

High beam, position light, indicator

Manufacturer	OE Industry
Source of light	LED
Voltage	12/24V
Dimensions	103x89 mm
Connection	Deutsch
Assembly	Standard screws
IP Rating	IP6K9K
Approvals	ECE R10, R148, R149



OE1182003507_D
Black



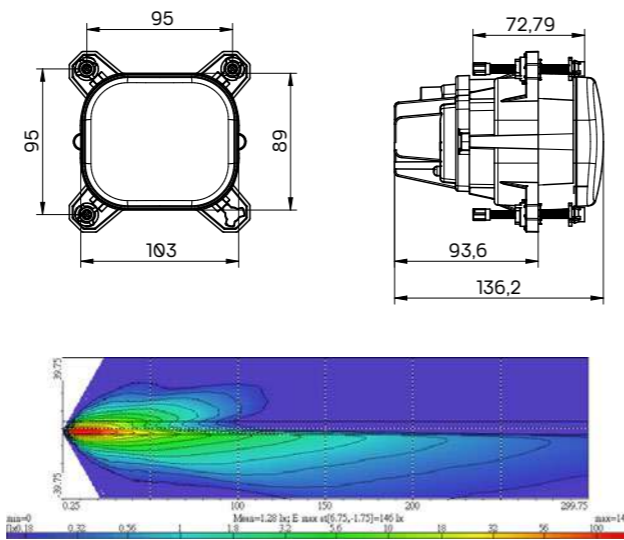
OE1182003507_I
Chrome



LED headlight NEXT_Q4U

Low beam, position light, DRL

Manufacturer	OE Industry
Source of light	LED
Voltage	12/24V
Dimensions	103x89 mm
Connection	Deutsch
Assembly	Standard screws
IP Rating	IP6K9K
Approvals	ECE R10, R148, R149
Availability	On request



OEI182003516_D
Black



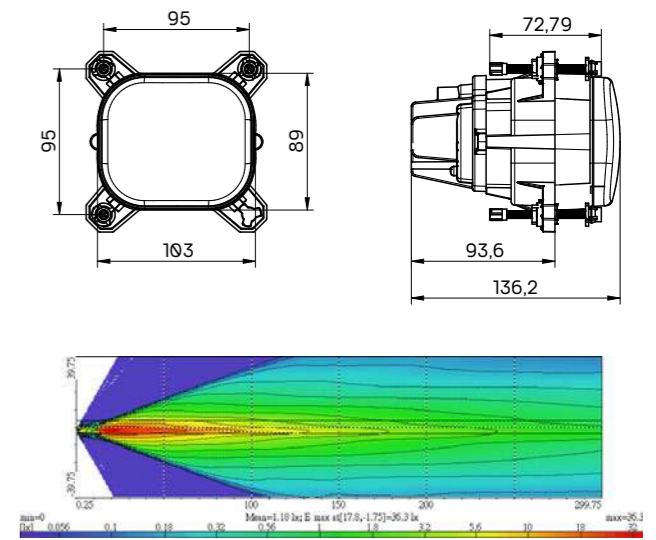
OEI182003516_I
Chrome



LED headlight NEXT_Q4U

High beam, position light, indicator

Manufacturer	OE Industry
Source of light	LED
Voltage	12/24V
Dimensions	103x89 mm
Connection	Deutsch
Assembly	Standard screws
IP Rating	IP6K9K
Approvals	ECE R10, R148, R149
Availability	On request



OEI182003517_D
Black



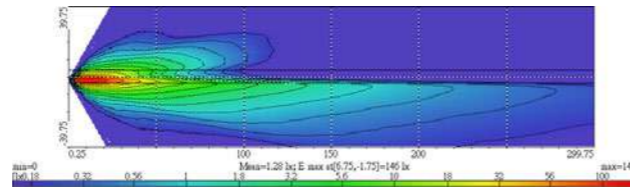
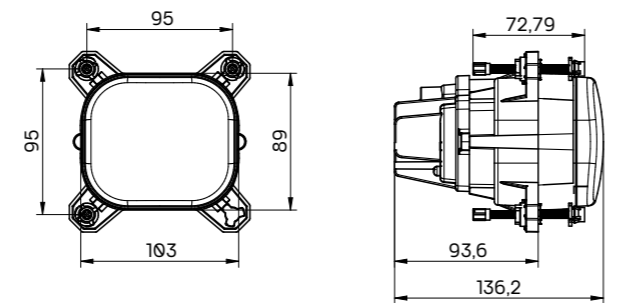
OEI182003517_I
Chrome



LED headlight NEXT_Q4W

Low beam

Manufacturer	OE Industry
Source of light	LED
Voltage	12/24V
Dimensions	103x89 mm
Connection	Deutsch
Assembly	Standard screws
IP Rating	IP6K9K
Approvals	ECE R10, R149



OE112003606_D
Black



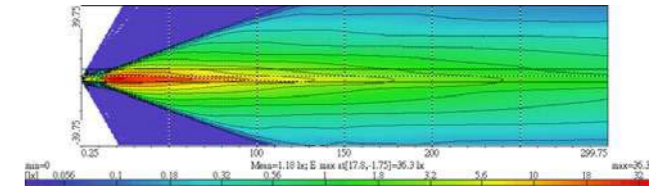
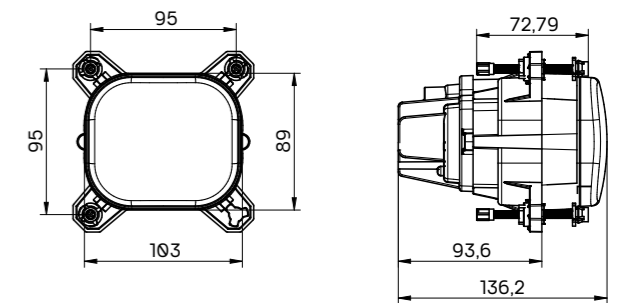
OE112003606_I
Chrome



LED headlight NEXT_Q4W

High beam

Manufacturer	OE Industry
Source of light	LED
Voltage	12/24V
Dimensions	103x89 mm
Connection	Deutsch
Assembly	Standard screws
IP Rating	IP6K9K
Approvals	ECE R10, R149



OE112003607_D
Black



OE112003607_I
Chrome



One system, a diversity of functions.
Enhancing headlights with new capabilities.

Automotive Lighting Technology

AX_SERIES

The joy of creation.
Get to know the AX_Series.



Ergonomics and optics – this is the heart of what we do. OEI designers are aware of how the smallest details and composition affect the visual character of a vehicle. This sometimes requires the design to fit in with the minimum number of light points, and sometimes the opposite.

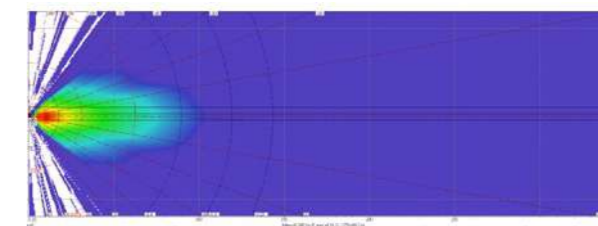
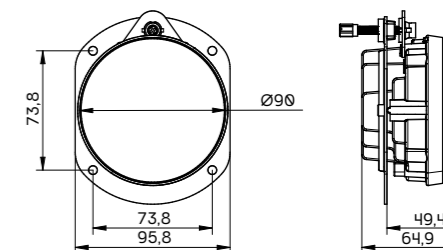
From standard headlights to multifunctional solutions. Both with a classic diameter of 90 mm, as well as in 70 mm or other irregular solids, to individual complex designs.

AX_Series – new headlight series. Simple and functional modules that will work for your vehicle. Elements that you can arrange freely – and create custom, surprising solutions.



LED headlight AX3

Manufacturer	OE Industry
Source of light	LED
Voltage	12/24V
Dimensions	Ø90 mm
Connection	Superseal
Assembly	Mounting frame
IP Rating	IP6K9K
Approvals	ECE R10, R148, R149



OE1182003745_D
Indicator, position light,
DRL



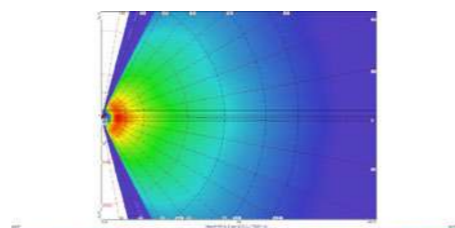
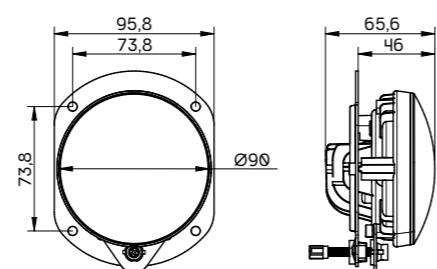
OE1182003743_D
Fog light, indicator



LED headlight FX3

Fog light with cornering

Manufacturer	OE Industry
Source of light	LED
Voltage	12/24V
Dimensions	Ø90 mm
Connection	Superseal
Assembly	Mounting frame
IP Rating	IP6K9K
Approvals	ECE R10, R19, R119



OE1132003109_D
Black



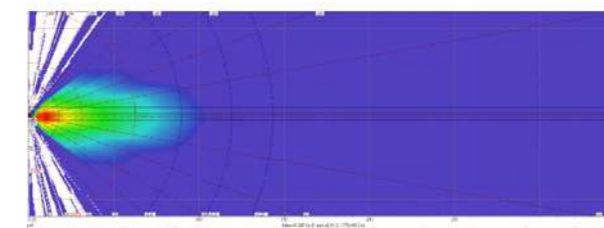
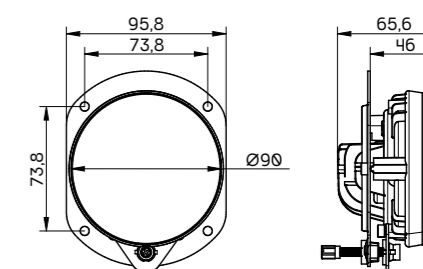
OE1132003109_I
Chrome



LED headlight FX3W

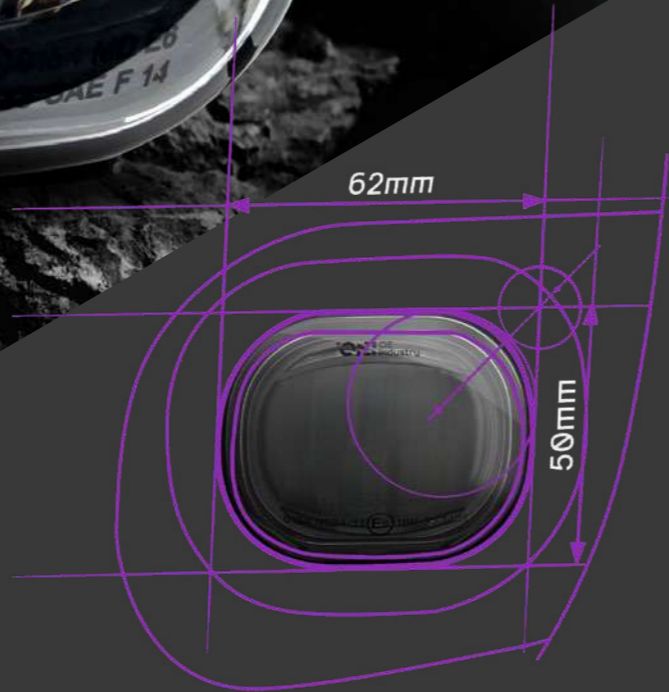
Fog light

Manufacturer	OE Industry
Source of light	LED
Voltage	12/24V
Dimensions	Ø90 mm
Connection	Superseal
Assembly	Mounting frame
IP Rating	IP6K9K
Approvals	ECE R10, R149



OE1132003748_D
Black





FXQ4

Here's the smallest fog headlight you'll see.

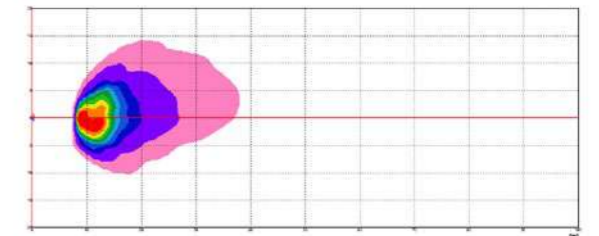
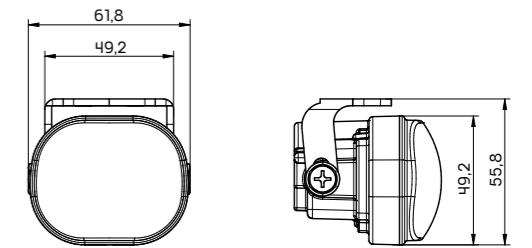
The fog headlight is supposed to be effective in fog - and that's exactly what the FXQ4 is. The added value, on the other hand, is the unobvious shape that perfectly harmonizes with all headlight solutions.

The advantage of this form is the possibility of combining it with both round and rectangular headlights. The minimalist design blends into the body of the vehicle without competing with its other elements.

LED headlight FXQ4

Fog light

Manufacturer	OE Industry
Source of light	LED
Voltage	12/24V
Dimensions	62x50 mm
Connection	Cable
Assembly	Mounting bracket
IP Rating	IP67
Approvals	ECE R10, R19



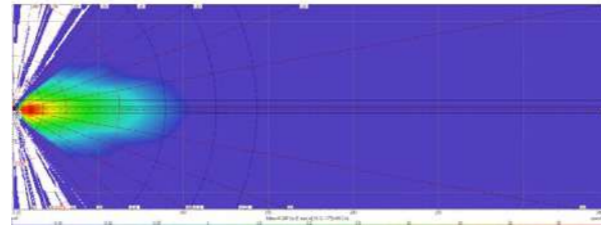
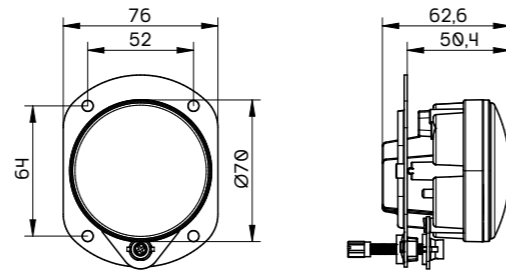
OE1132003421
Black



LED headlight FX1

Fog light

Manufacturer	OE Industry
Source of light	LED
Voltage	12/24V
Dimensions	Ø70 mm
Connection	Superseal
Assembly	Mounting frame
IP Rating	IP6K9K
Approvals	ECE R10, R149



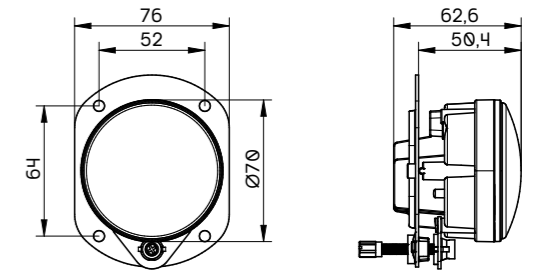
OE1132003749_D
Black



LED headlight AX1

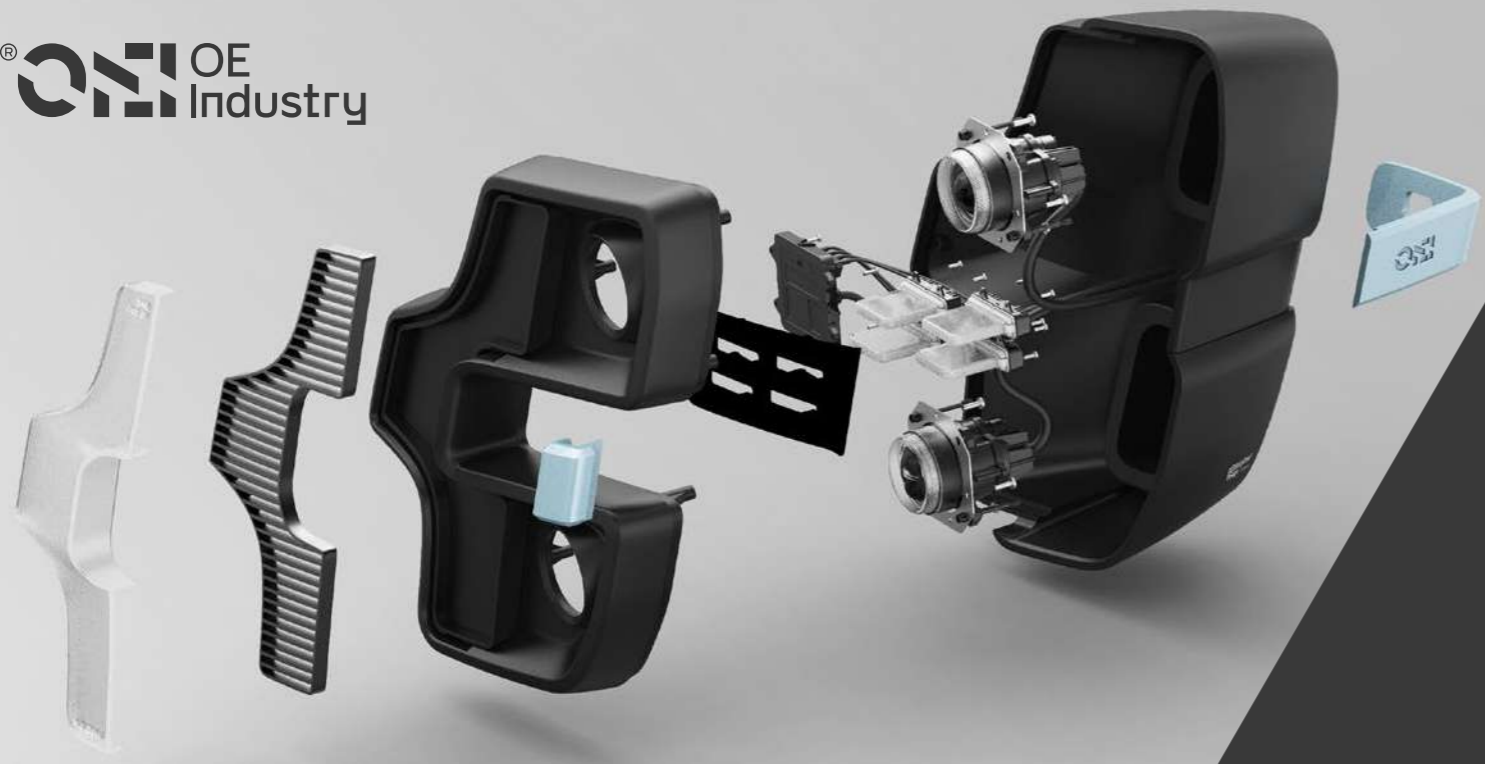
Indicator

Manufacturer	OE Industry
Source of light	LED
Voltage	12/24V
Dimensions	Ø70 mm
Connection	Superseal
Assembly	Mounting frame
IP Rating	IP6K9K
Approvals	ECE R10, R148



OE1152003751_D
Black





One light module. Many forms of expression.

It is said that lights are the eyes of a vehicle. They attract and hold attention. They are an element that can emphasize a brand's DNA more intensively than others.

That's why at OE Industry we design headlights in a very specific way. Consciously. While performing an important utilitarian function at the same time, they are supposed to bring out the full character of the entire vehicle. Because light is an art. And art is emotion.

At OE Industry, as early as the design concept stage of modular headlights, we think about their future display inside vehicles. We start each process with:

- analyzing trends in vehicle design,
- observation of the vehicle context,
- we draw on feedback from users.

Automotive Lighting Technology

Success designed with engineering precision.

We implement technical solutions right from the design phase. We have created our own implementation and development department. Because when you want to create products that change standards, you need to know where the industry will be in a year and in five years.

As a result, moving through the stages from initial concept to regular deliveries is even faster. In an atmosphere of awareness

of your business goal and with full focus on your success.

At OE Industry, we make you feel confident and secure from the first day we work together. Your goals and wishes are also ours.

OE Industry will ensure your success. Better than you expect.





Automotive Lighting Technology

NEXT_5

It looks small but has big skills.

The 5.75" headlight is designed for light commercial and special vehicles. It can also be used on some motorcycle models.

It is distinguished by its individual styling and compact housing. The lightguide is an additional element, that gives it a unique character.

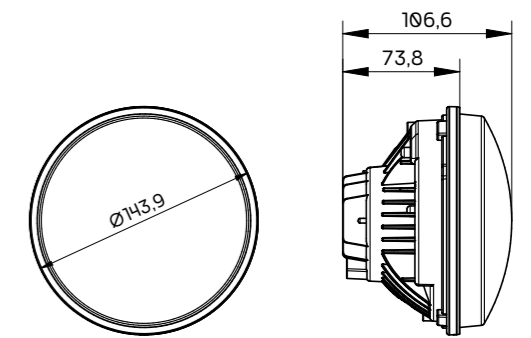
The advantage is 4 light functions: low beam, high beam, position light and DRL – all in one headlight.



LED headlight NEXT_5

Low beam, high beam, position light, DRL

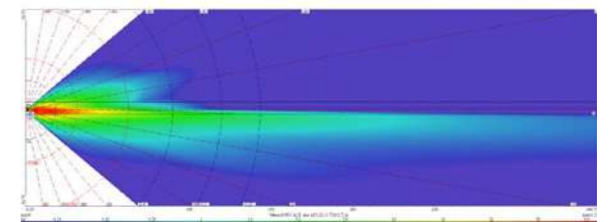
Manufacturer	OE Industry
Source of light	LED
Voltage	12/24V
Dimensions	5,75" (Ø144 mm)
Connection	H4 + Superseal
Assembly	Screws
IP Rating	IP6K9K
Approvals	ECE R10, R7, R87, R112



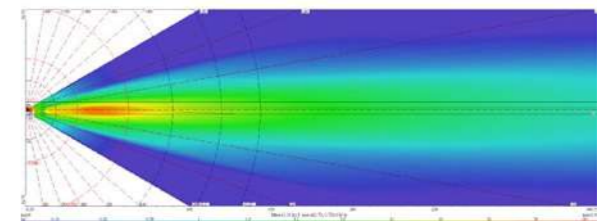
OE1182003532
Chrome



Low beam



High beam





NEXT_7

Previously used halogen lighting in trams or industrial machinery today is no longer sufficient.

Public transport vehicles exposed to high vibrations are struggling to replace often burnt-out bulbs. Transportation companies are therefore increasingly looking for a simple solution that, while optimizing costs and saving time, will also take care of the environment.

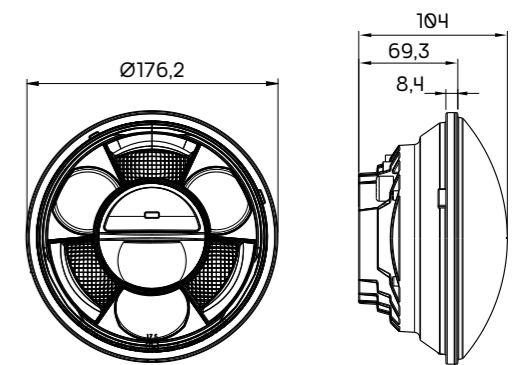
That's why the 7" headlight has been subjected to numerous tests in both very high and extremely low temperatures, as well as restrictive salt baths. Thanks to this, we know that it will stand up to its tasks in all conditions.



LED headlight NEXT_7

Low beam, high beam, position light, DRL

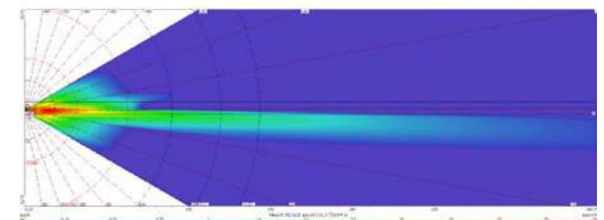
Manufacturer	OE Industry
Source of light	LED
Voltage	9-33V
Dimensions	7" (Ø176 mm)
Connection	H4 + Superseal
Assembly	Screws
IP Rating	IP6K9K
Approvals	ECE R10, R7, R87, R112



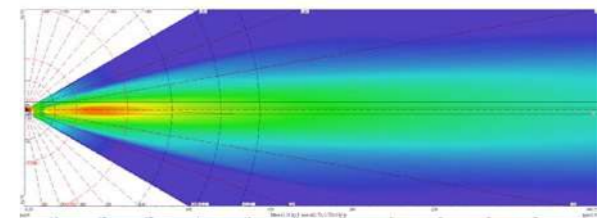
OE1182002914
Black



Low beam



High beam



RFT headlights are an alternative solution to lenticular headlights.

This technology was developed several years ago, but has been modified and improved in the present day through the use of LED chips.

In RFT headlights, the LED diode is directed at a computer-designed reflector. This makes the reflected light wider and closer than the lens. Thanks to this dispersion system, it is possible to design very flat headlights with transparent glass.

If the Customer requires a change from halogen to LED lighting and does not want to interfere with the vehicle design, RFT headlights are the ideal solution.

LED_RFT Lighting

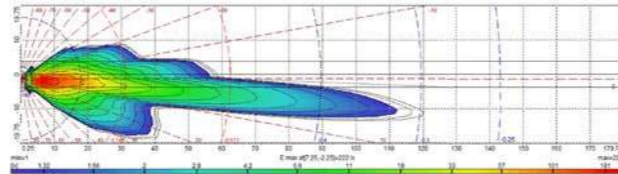
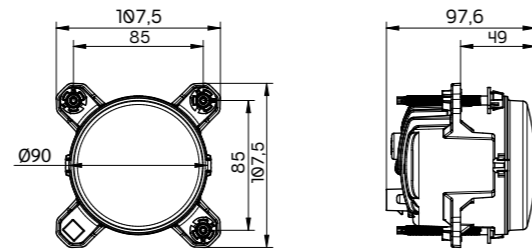
Simple to install.
Impressive in form.



LED headlight RFT

Low beam

Manufacturer	Braslux
Source of light	LED in RFT technology
Voltage	12/24V
Dimensions	Ø90 mm
Connection	Superseal
Assembly	Screws
IP Rating	IP69K
Approvals	ECE R10, R112



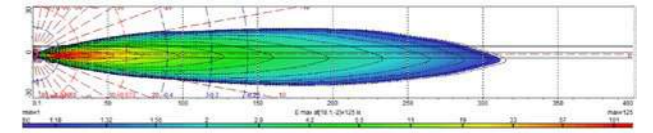
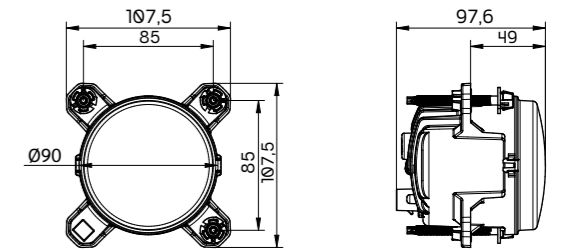
OE112002694
Chrome



LED headlight RFT

High beam

Manufacturer	Braslux
Source of light	LED in RFT technology
Voltage	12/24V
Dimensions	Ø90 mm
Connection	Superseal
Assembly	Screws
IP Rating	IP69K
Approvals	ECE R10, R112



OE112002695
Chrome



The first Bi-LED 90 mm headlight in RFT technology with ECE R113 designed for agriculture and other vehicles of T category that emitting symmetrical light.

Thanks to this technology, it illuminates a wider range of the roadside and guarantees better driver comfort, especially in slow-moving vehicles.

The Mercury headlight is one of the shallowest Bi-LED headlights on the market. Therefore, it is an excellent choice for projects where space is very limited.

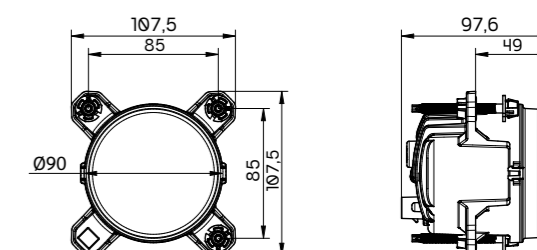
Compact design, multifunctionality, and the selection of the best materials make Mercury headlights one of the best solutions in their class.

MERCURY

LED headlight Mercury

Low beam, high beam

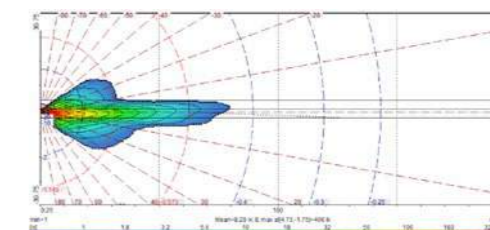
Manufacturer	Braslux
Source of light	LED in RFT technology
Voltage	12/24V
Dimensions	Ø90 mm
Connection	Superseal
Assembly	Screws
IP Rating	IP69K
Approvals	ECE R10, R113



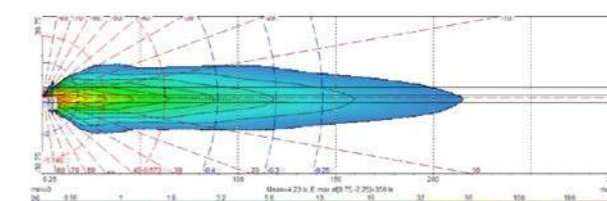
OE1182003396
Chrome



Low beam



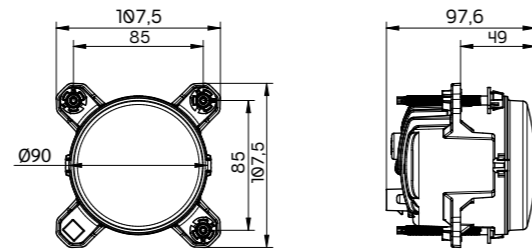
High beam



LED headlight Mercury

Low beam, high beam

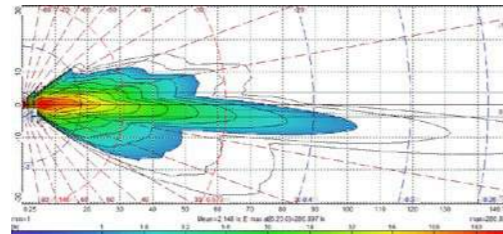
Manufacturer	Braslux
Source of light	LED in RFT technology
Voltage	12/24V
Dimensions	Ø90 mm
Connection	Superseal
Assembly	Screws
IP Rating	IP69K
Approvals	ECE R10, R112



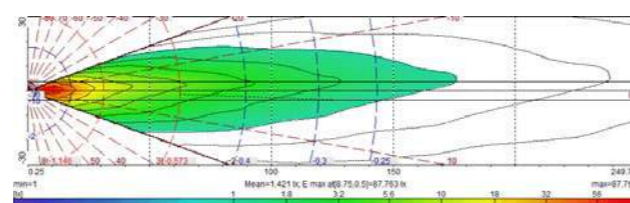
OE1182003541
Chrome



Low beam



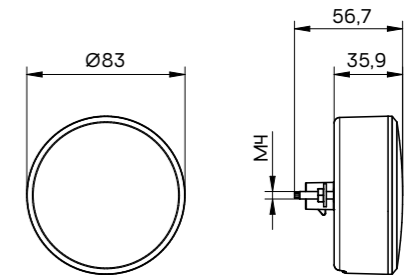
High beam



LED headlight AX6

Indicator, position light, DRL

Manufacturer	Braslux
Source of light	LED
Voltage	9-32V
Dimensions	Ø83 mm
Connection	Superseal
Assembly	Screws
IP Rating	IP67
Approvals	ECE R10, R148



OE1182003716
Chrome



SATURN

More lighting functions at a lower price, fewer LEDs and less power consumption. These are the advantages of the Bi-LED Saturn headlights.



Automotive Lighting Technology

The headlight has been designed so that the best technical parameters go hand in hand with an attractive appearance. Five functions fit into one housing - low beam, high beam, indicator, position and daytime driving lights. At the moment, this is a rare solution on the market.

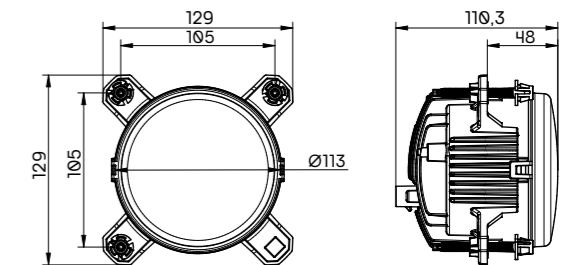
All this translates into an attractive product price for manufacturers of special vehicles, municipal vehicles and light trucks.



LED headlight Saturn

Low beam, high beam, position light, indicator, DRL

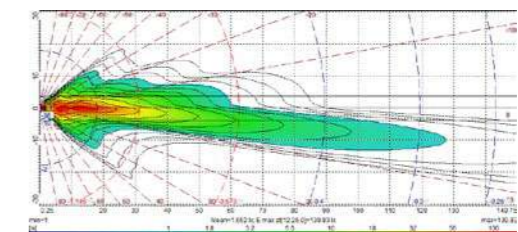
Manufacturer	Braslux
Source of light	LED in RFT technology
Voltage	12/24V
Dimensions	Ø113 mm
Connection	Superseal
Assembly	Screws
IP Rating	IP69K
Approvals	ECE R7, R87, R112, R148



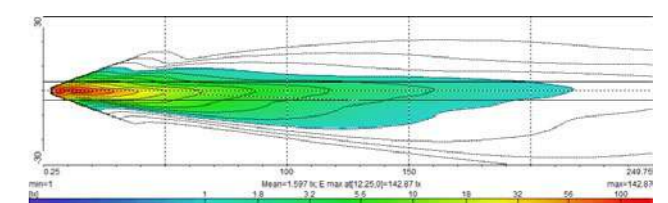
OE1182003651
Chrome



Low beam



High beam

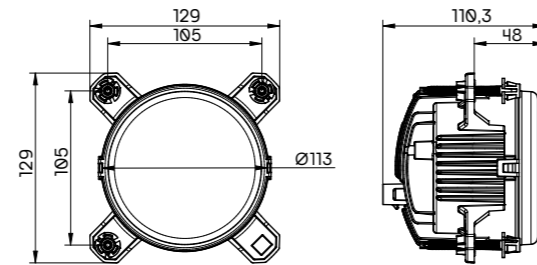


for more visit : oeindustry.com

LED headlight Saturn

Low beam, high beam, position light, DRL

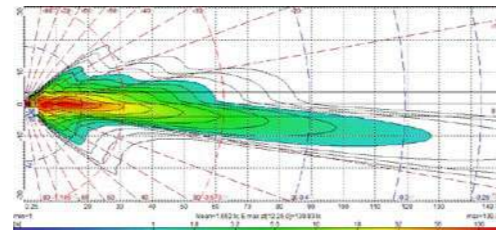
Manufacturer	Braslux
Source of light	LED in RFT technology
Voltage	12/24V
Dimensions	Ø113 mm
Connection	Superseal
Assembly	Screws
IP Rating	IP69K
Approvals	ECE R7, R87, R112



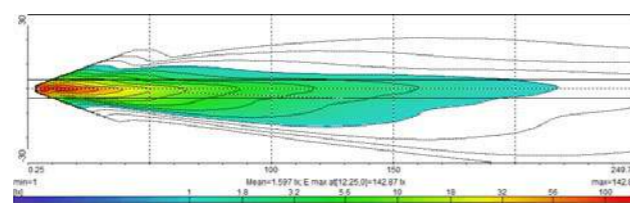
OE1182002881
Chrome



Low beam



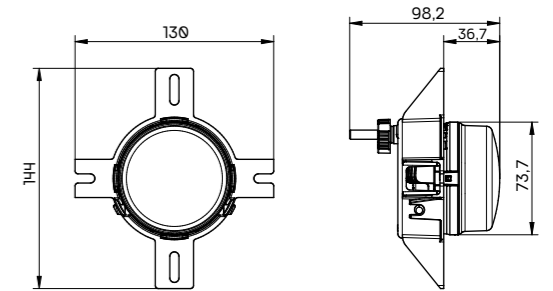
High beam



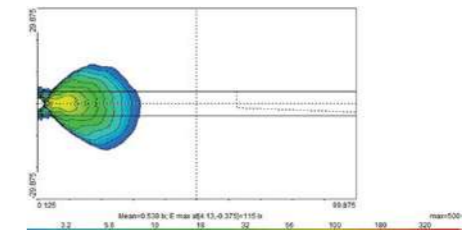
LED headlight Pluto

Fog light

Manufacturer	Braslux
Source of light	LED in RFT technology
Voltage	12/24V
Dimensions	Ø70 mm
Connection	Superseal
Assembly	Screws
IP Rating	IP69K
Approvals	ECE R10, R19



OE1132002762
Chrome



Lighting system LEDayFlex III made by the latest technologies, provides maximum design freedom.

It can be chosen between three, four and five modules for each side of the vehicle. Individual options for arranging makes, that you can harmoniously integrate them with each headlights.

The modules have three lighting functions: daytime running light, position light and indicator – a version with a dynamic indicator is also available. All these functions use the innovative EdgeLight technology, which provides a very homogeneous light distribution so that individual LED spots are not visible.



HELLA LEDay Flex III



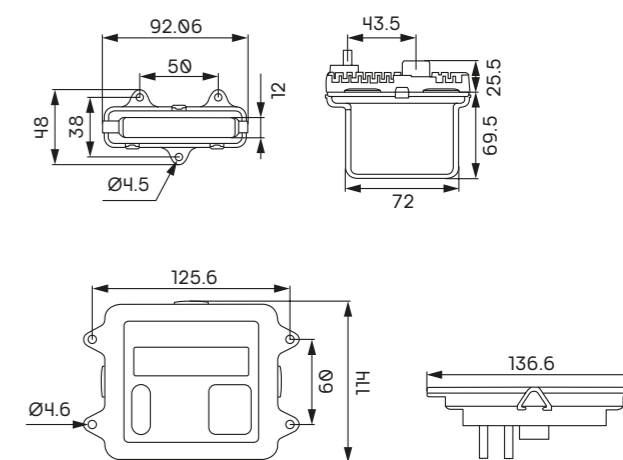
Automotive Lighting Technology



Light module LEDayFlex III

Indicator, position light, DRL

Manufacturer	Hella
Source of light	LED
Voltage	9-32V
Dimensions	72x95 mm (1 module)
Connection	Deutsch or FEP
Assembly	Screws
IP Rating	IPX9K, IPX4K, IP5KX
Approvals	ECE R10, R148
OE182003634	3 modules
OE182003636	4 modules
OE182003639	5 modules



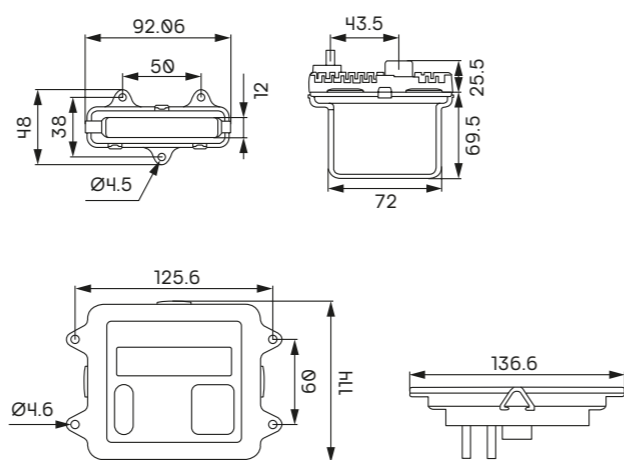
for more visit : oeindustry.com

Light module LEDayFlex III

Sequential indicator, position light, DRL

Manufacturer	Hella
Source of light	LED
Voltage	9-32V
Dimensions	72x95 mm (1 module)
Connection	FEP connector
Assembly	Screws
IP Rating	IPX9K, IPX4K, IP5KX
Approvals	ECE R10, R148

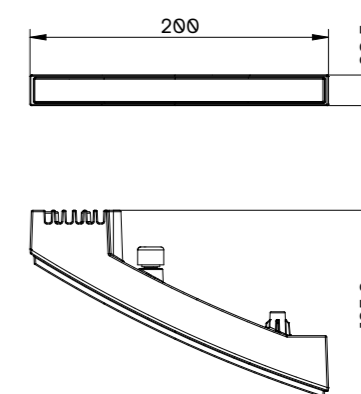
OEI182003637	4 modules (left)
OEI182003638	4 modules (right)



Light module AX5

Position light, DRL

Manufacturer	OE Industry
Source of light	LED
Voltage	12/24V
Dimensions	200x125 mm
Connection	Superseal
Assembly	Screws
IP Rating	IP68
Approvals	ECE R7, R87



OEI162002465
Black



DX4 Indicator → The same shape but a new.

A direction indicator is an essential component of every vehicle. The key value, sufficient visibility of the vehicle, is required as a warning lamp.

This is why we developed at OE Industry another model of the side indicator, of the category 6 in our new line Next.

Next stands for a new – even more subtle – style. Category 6 – indicates that the direction indicator lamp has been manufactured for vehicles with a length of more than 6 metres.

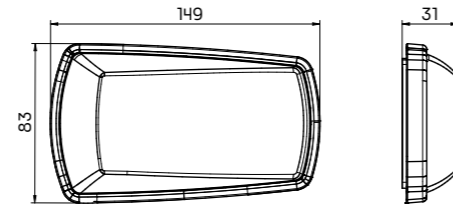
DX4 is a modern character and a timeless guarantee of absolute security. There are no compromises at OE Industry. Expect more and more.



Side indicator DX4

Indicator cat. 6

Manufacturer	OE Industry
Source of light	LED
Voltage	10-30V
Dimensions	149x83 mm
Connection	Cable 210 mm
Assembly	Screws
IP Rating	IP67
Approvals	ECE R10, R148



OEI532003625_D
Black



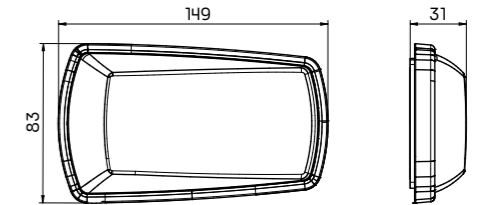
OEI532003625_I
Chrome



Side indicator DX3

Indicator cat. 6

Manufacturer	OE Industry
Source of light	LED
Voltage	10-30V
Dimensions	149x83 mm
Connection	Cable 210 mm
Assembly	Screws
IP Rating	IP67
Approvals	ECE R10, R6



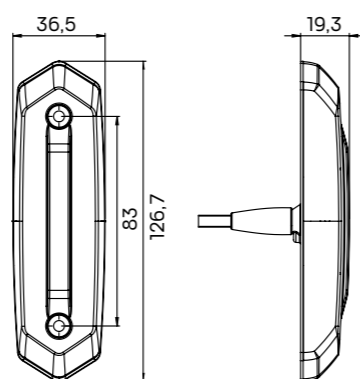
OEI252002476
Orange



Side lamp SX3

End-outline marker light

Manufacturer	Braslux
Source of light	LED
Voltage	12-24V
Dimensions	127x19 mm
Connection	Cable
Assembly	Screws
IP Rating	IP69K
Approvals	ECE R10, R148



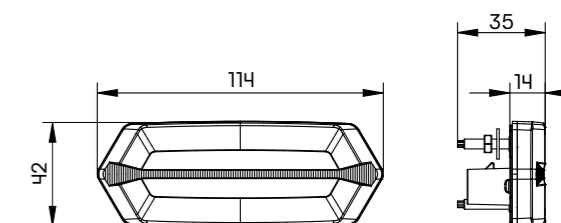
OEI532003943



Side lamp SX4

Marker light, reflex

Manufacturer	Braslux
Source of light	LED
Voltage	12-24V
Dimensions	114x14 mm
Connection	Superseal
Assembly	Screws
IP Rating	IP69K
Approvals	ECE R10, R148



OEI532003953



RX ONE™ is a rear lamp with a 112 mm diameter based on hybrid technology.

What sets this lamp apart? We designed it to give a homogeneous distribution of light - whose beams together form an understated, visually intriguing ring. We used RFT technology in the internal reflector. This gives the lamp the impression of extra depth just like in passenger vehicles.



**RX_ONE : One light system,
multifunctional hybrid aesthetics.**

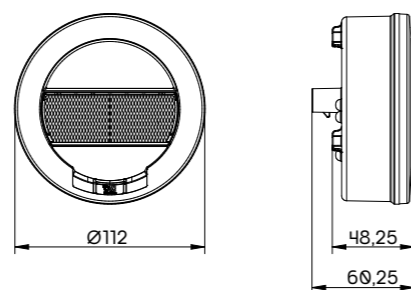
RX ONE™ is not a flat lamp, but a functional and stunning design essential for vehicle lighting.

It is perfect for both small vehicles (1 or 2 lamps) and larger public transportation (4 lamps per side).

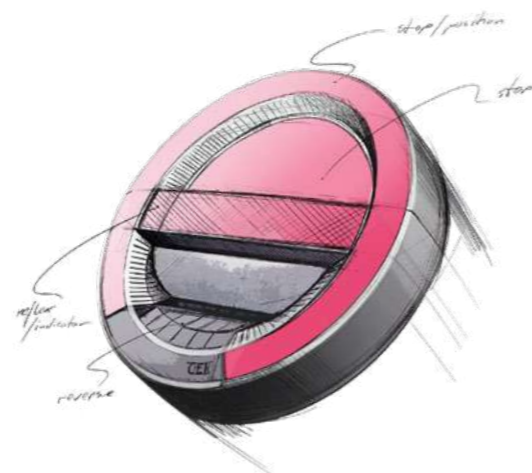
Rear lamp RX_One

Stop light, position light, indicator

Manufacturer	OE Industry
Source of light	LED
Voltage	12/24V
Dimensions	Ø112 mm
Connection	Superseal
Assembly	Screws
IP Rating	IP67
Approvals	ECE R10, R148

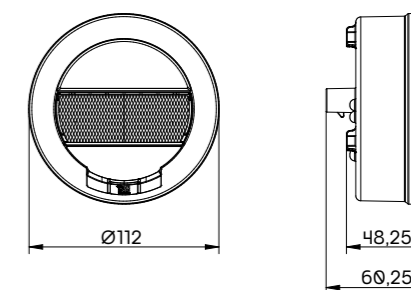


OEI262003620



Rear lamp RX_One

Manufacturer	OE Industry
Source of light	LED
Voltage	12/24V
Dimensions	Ø112 mm
Connection	Superseal
Assembly	Screws
IP Rating	IP67
Approvals	ECE R10, R148, R150



OEI262003621
Fog light, reflex

OEI262003622
Reversing light, reflex

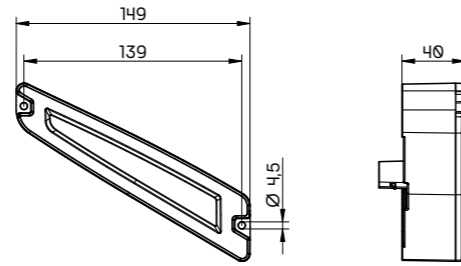


OEI262003624
Fog light, reversing light,
position light, reflex



Rear lamp RX_Four

Manufacturer	Braslux
Source of light	LED
Voltage	12/24V
Dimensions	149x40 mm
Connection	Superseal
Assembly	Screws
IP Rating	IP67
Approvals	ECE R10, R148



OEI262003985 - left
OEI262003986 - right
Stop light, position light

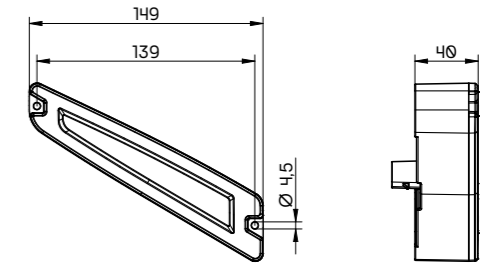


OEI232003987 - left
OEI232003988 - right
Fog light



Rear lamp RX_Four

Manufacturer	Braslux
Source of light	LED
Voltage	12/24V
Dimensions	149x40 mm
Connection	Superseal
Assembly	Screws
IP Rating	IP67
Approvals	ECE R10, R148



OEI252003989 - left
OEI252003990 - right
Indicator



OEI242003991 - left
OEI242003992 - right
Reversing light



RX_FOUR SYSTEM

RX_ONE SYSTEM

® ONI Original Equipment Industry Automotive Engineering

Custom interior & exterior lighting

LED flex neon strip

Manufacturer	OE Industry
Source of light	LED
Voltage	24V
Dimensions	5m - roll
CRI	>90
Connection	Open wires
IP Rating	IP67

- Possibility of integration with the DMX512(1990) protocol.
- Unique optical light distribution structure design.
- UV, solvent and saltwater resistance.

The vehicle vision you implement has one goal – to set the standards of the future.

Your ambition, passion and determination deserve to be realised down to every detail.

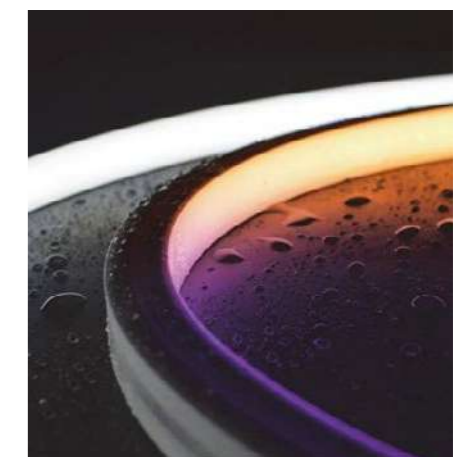
OEI consistently pushes the boundaries of the impossible in lighting systems. And always delivers them to the specified place and at the specified time.

Expect only what is unique and perfectly in line with your vision from lighting. Expect to receive it in a specification that allows you to implement it straight away.

At OEI, we offer an off-the-shelf solution that has been tested in our laboratories and is always perfectly tailored to your needs. Needs that will be clearly defined at the start of our collaboration.

Do you need unique ambient lighting solutions? Or perhaps...

...a linear or flexible interior lighting element? An entrance light configured according to your desired colour? We will select the right profile and implement all the parameters. Exactly so that your dream vision becomes a real and ready-to-use vehicle.

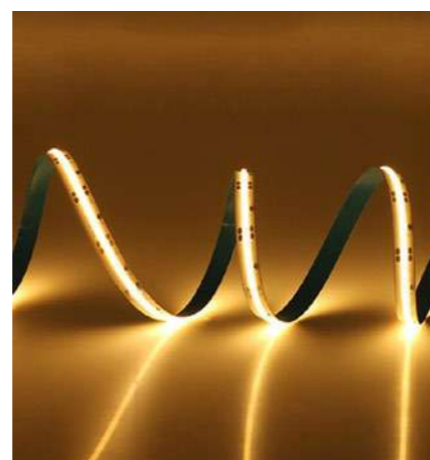


Custom interior & exterior lighting

LED COB strip

Manufacturer	OE Industry
Source of light	LED
Voltage	24V
Dimensions	5m - roll
CRI	>90
Connection	Open wires
IP Rating	IP20/65

- Easy to install.
- Energy-efficient.
- High color efficiency and uniform illumination.



Custom interior & exterior lighting

LED linear modular light

Manufacturer	OE Industry
Source of light	LED
Voltage	24V
Dimensions	up to 10m
CRI	>90
Connection	Open wires
IP Rating	IP67

- No dark areas between luminaries.
- Quick connection without soldering.
- Available in various line lengths.



Customization → There are no universal needs.



OE Industry knows this very well. That's why we treat every project individually. In OEI production, efficiency stands alongside stunning design.

For a decade, the OEI team has been creating even the most daring projects. Always with one thing in mind. Your needs.

Why?

That is why it is so important to create a unique product that will not only delight. But will not let you forget about yourself.

Branding & distribution of lighting products as original parts.

This is how we do it at OEI.

Distribution network

Success is multiplied by sharing.

The automotive and mobility market today is gaining awareness of the value of original spare parts. Delivery is flawlessly labeled and precisely packaged. That's exactly the guarantee OEI provides.

We invariably and consistently exceed the requirements of even the most demanding.

We have the resources, know-how and, above all, the tools to do so.

For more than a decade, we have been supporting our Customers in both branding and distribution. That's why we are successively raising awareness about the essence of signing lighting components with their brand, i.e. that of the vehicle manufacturer. And we emphasize this already at the design stage.

OEI's machinery park allows for individual marking and proper packaging of products. In tailored for individual guidelines packaging in accordance with standards.

And what is most important for you – to deliver them on site and on time. No exceptions.



OE Industry is an international company. We are perfectly aware that on each continent and in each country, there are a different models of cooperation, local customs, and styles of business relations.

We are primarily a B2B partner on a specific scale, therefore selling directly to "every" ultimate customer, is not the ambition of OE Industry. Instead, we create a distribution network.

We respect this. Because our goal is to always be a responsible business partner and a friend to every company.

So that we can support our customers locally by offering a standard most suitable for them.

Let's talk!



GLOBAL SALES DEPARTMENT



Marta Błachowska
Global Sales Department
Senior Manager

m.blachowska@oeindustry.com
mob. +48 600 625 855

SALES DEPARTMENT



Marcin Wiśniewski
Head of Commercial Department

m.wisniewski@oeindustry.com
mob. +48 600 626 046

DEVELOPMENT DEPARTMENT



Jan Graca
Head of Product Management

j.graca@oeindustry.com
mob. +48 538 453 555



The Joy of Creation.